

## DESCRIPTION

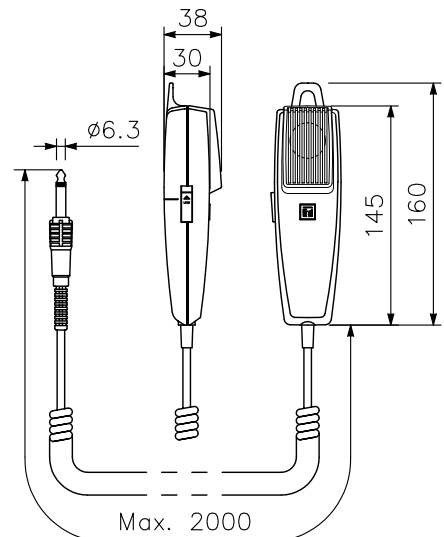
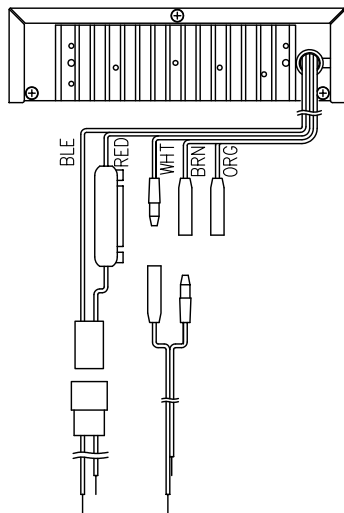
The CA-130 is a 1-DIN size unit 30 W car amplifier designed for use with a 12 V battery car.

## SPECIFICATIONS

Power Source	Standard voltage: 14 V DC Usable voltage: 10 – 16 V DC (12 V battery used)
Power Consumption	5 A or less at rated output
Rated Output	30 W
Output Impedance	4 Ω (BRN), 8 Ω (ORG), Common (WHT) Changeable by changing lead wire connections
Distortion	5 % or less (at 1 kHz rated output)
Frequency Response	100 Hz – 10 kHz
Input	Mic1, 2: 600 Ω, 4 mV, phone jack Aux: 10 kΩ, 500 mV, phone jack
Finish	Front panel: ABS resin, black Case: Zinc plated steel sheet
Dimensions	178 (W) × 50 (H) × 144 (D) mm (Mounting device excluded)
Weight	1.1 kg
Accessory	Microphone holder ..... 1, Mounting bracket ..... 1, Mounting screw ..... 1set, Fuse (8 A) ..... 1, Connection cord ..... 1set
Accessory Microphone	Unidirectional dynamic type with talk switch Impedance: 600 Ω Sensitivity : -53 dB (1 kHz, 0 dB = 1 V/Pa)

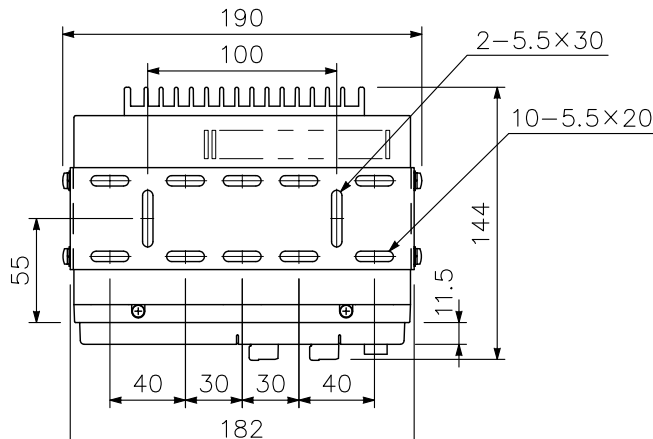
## APPEARANCE

Rear View

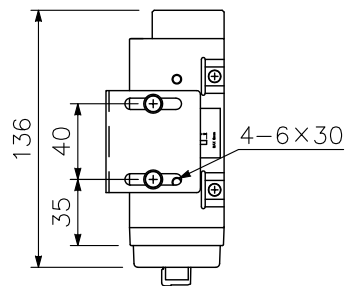
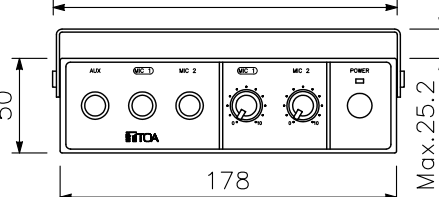


Accessory microphone (1/5)

Top View



Front View



Side View

UNIT:mm SCALE:1/4